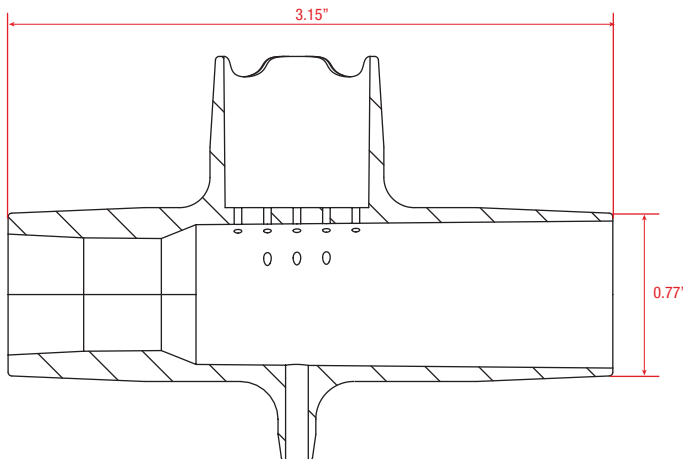


The Clear-Vu Medical T-Adapter converts BiPAP machines into pressure controlled ventilators for both patients with and without COVID-19 induced lung disease.

- Increases the number of ventilators available to patients
- For use with a Philips Respironics V60 ventilator with pressure control ventilation (PCV) option as a pressure-controlled ventilator using a conventional BiPAP circuit.
- T-Adapter is injection molded polycarbonate.
- A bacterial or viral filter is recommended between the ET tube and the T-Adapter.
- Designed and used by a Northwell Health physician and a respiratory therapist.

CLEAR-VU MEDICAL IS ABLE TO PRODUCE 3,000 T-ADAPTER UNITS PER DAY.



ORDERING INFORMATION

PART #: CME4142-800

Quantity _____

Location Name _____

Address _____

